

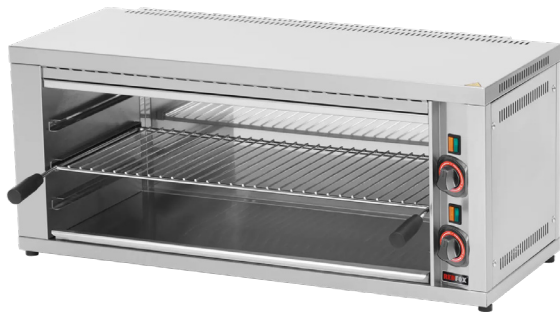
Technical data sheet



Product features

Salamander manual 2 heating elements fixed grid 400 V

| | | |
|--------------|-----------------|----------|
| Model | SAP Code | 00003929 |
|--------------|-----------------|----------|



- Removable rear wall of the device: Yes
- Width of internal part [mm]: 710
- Depth of internal part [mm]: 310
- Number of grid positions: 3

| | | | |
|------------------------|----------|----------------------------|--------------------|
| SAP Code | 00003929 | Net Weight [kg] | 18.00 |
| Net Width [mm] | 884 | Power electric [kW] | 4.400 |
| Net Depth [mm] | 369 | Loading | 400 V / 3N - 50 Hz |
| Net Height [mm] | 378 | | |

Technical data sheet



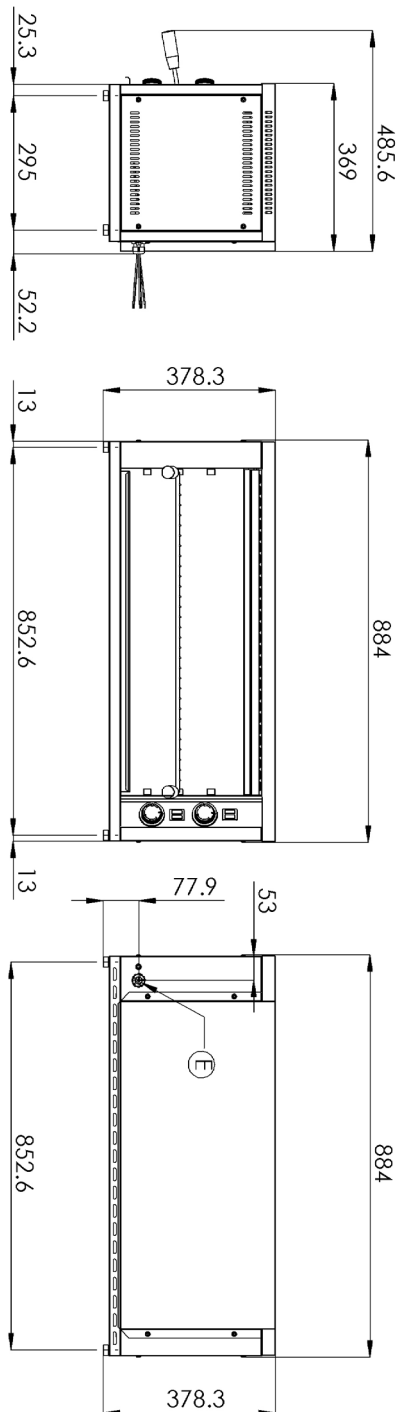
Technical drawing

Salamander manual 2 heating elements fixed grid 400 V

Model

SAP Code

00003929



Technical data sheet



Technical parameters

Salamander manual 2 heating elements fixed grid 400 V

Model

SAP Code

00003929

1. SAP Code:

00003929

2. Net Width [mm]:

884

3. Net Depth [mm]:

369

4. Net Height [mm]:

378

5. Net Weight [kg]:

18.00

6. Gross Width [mm]:

520

7. Gross depth [mm]:

920

8. Gross Height [mm]:

440

9. Gross Weight [kg]:

21.00

10. Device type:

Electric unit

11. Material:

Stainless steel

12. Power electric [kW]:

4.400

13. Loading:

400 V / 3N - 50 Hz

14. Control type:

Mechanical

15. Number of grid positions:

3

16. Protection of controls:

IPX4

17. Number of power control stages:

3

18. Number of internal parts:

3

19. Removable rear wall of the device:

Yes

20. Width of internal part [mm]:

710

21. Depth of internal part [mm]:

310